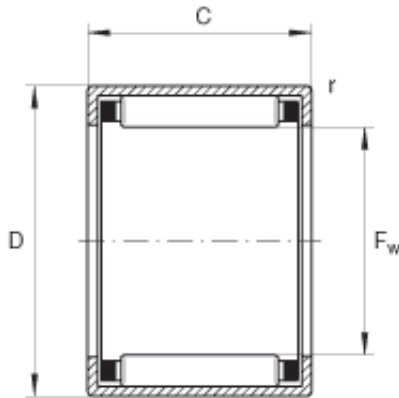




China Abec 9 Bearing Supplier



HK1612 Bearing 2D drawings and 3D CAD models

China Roller Bearing HK1612 HK1514 HK0910 HK1714 Needle

Bearing No. HK1612

Size	16x22x12 mm
Bore Diameter	16 mm
Outer Diameter	22 mm
Width	12 mm
F_w	16 mm
D	22 mm
C - 12 mm / Tolerance: -0,3	12 mm / Tolerance: 0,3
r_{min}	0,8 mm
m	12 g / Weight
C_r	7600 N / Dynamic load rating (radial)
C_{or}	9700 N / Static load rating (radial)
C_{ur}	1160 N / Fatigue limit load, radial
n_G	15600 1/min / Limiting speed
n_B	10900 1/min / Reference speed
	IR12X16X13 / Suitable inner ring
Category	Roller Bearings
Inventory	23.0
Manufacturer Name	SCHAEFFLER GROUP
Minimum Buy Quantity	N/A
UNSPSC	31171512
Weight / Kilogram	0



China Abec 9 Bearing Supplier

EAN	4026677400437
Product Group	B04144